



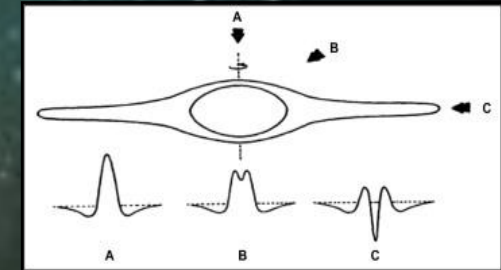
DHIMAZ GILANG RAMADHAN

Master Student

INSTITUT TEKNOLOGI BANDUNG - INDONESIA



CLASSICAL
BE STARS



SPECTROSCOPIC
OBSERVATION

DISC
MODELLING OF
BE STARS

😊 NICE TO MEET YOU 😊

My name is Vasiliki (Vana) Fragkou, I am a PhD student at the University of Hong Kong and my PhD thesis is about Galactic Planetary Nebulae with an emphasis on these that are physically associated with Open Clusters. My current research involves optical observations and analysis of multiwavelength data and my main objective is to determine the physical properties of these Planetary Nebulae that present cluster membership and those of their central stars as their distances are well known from their host cluster color-magnitude diagrams. I am also working with Planetary Nebulae identification techniques with the use of multiwavelength data.

I am additionally working on a project about Supernova Remnants in collaboration with the National Observatory of Athens, Greece.

I completed my Master's degree at the University of Manchester where I was working on extrasolar planets and simulations of gravitational microlensing in PYTHON for determining the accuracy of this method in the detection of unbound planets.

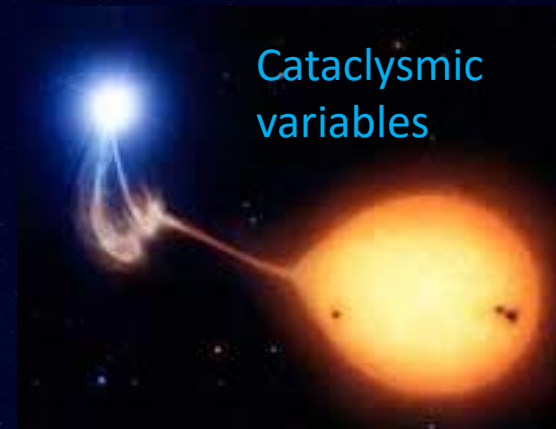
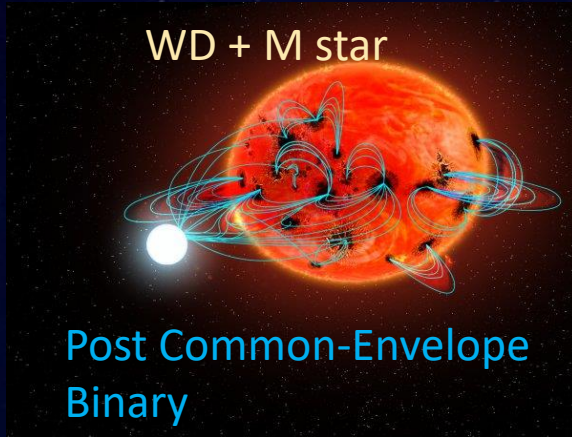
During my undergraduate degree at the Aristotle University of Thessaloniki in Greece, I was working on the Antikythera Mechanism, a unique ancient astronomical instrument, investigating its internal mechanism and inscriptions.

My first experience with modern optical telescopes and spectrophotometric techniques was while I was attending the University of La Laguna in Tenerife, Spain, as part of an exchange program during my undergraduate degree, while I also worked on a research project about analyzing dynamics of emission lines of Planetary Nebulae at the Institute of Astrophysics of Canary Islands.

My main scientific interests are about the late-stage stellar evolution including AGB stars, Planetary Nebulae and Supernova Remnants and about extrasolar planets. I really enjoy observing with optical telescopes, analyzing astronomical images and working with simulations.

White dwarf binaries

Puji Irawati
puji.irawati@narit.or.th



- High time resolution photometry (sub-second resolution)
- Light curves anomaly (flare/burst/planetesimals)
- Spectroscopy:
 - Radial velocity variations
 - Transiting (dense) materials

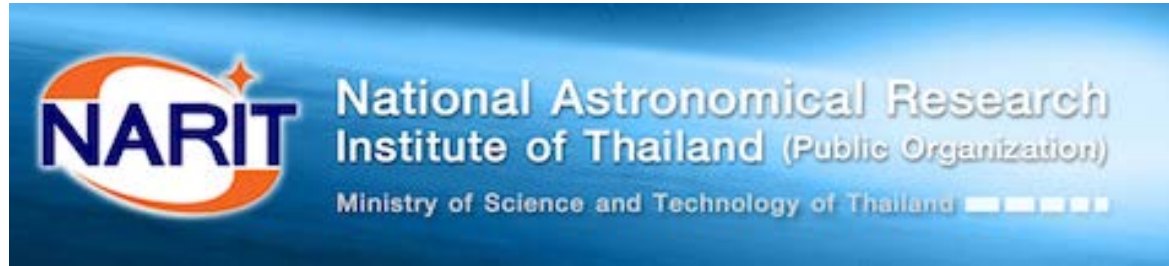
PERSONAL INFORMATION:

First Name: Xiao

Family Name: Zhou

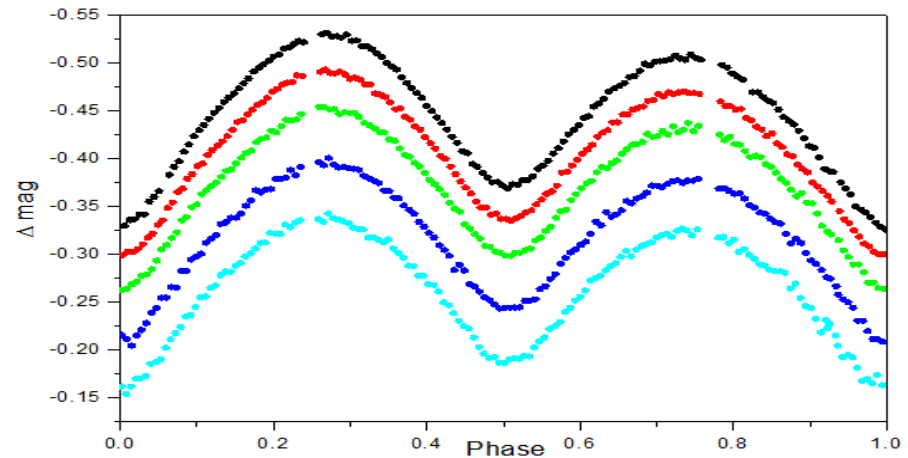
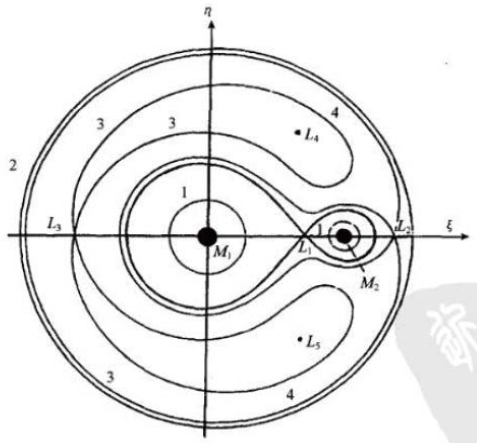
Nationality: Chinese

Email: zhouxiaophy@narit.or.th



RESEARCH INTERESTS:

- 1) Formation and evolution of close binaries
- 2) Circumbinary planet
- 3) The progenitor star of blue straggler



Kris Stern (HKU)

- Research interests

1. Planetary nebulae (PNe) in and around the Galactic Bulge
2. Integral field spectroscopy (IFS)
3. Late-state stellar evolution in general



- What I want to take away from this workshop...

1. Basic knowledge & skills to use Cloudy for constructing photoionization models of PNe
2. Basic Python for solving astrophysics problems
3. How to apply knowledge gained from AGN3 in real-world applications



香港大學

THE UNIVERSITY OF HONG KONG